



# PAR56 and PAR64

## PAR64 1000W 230V VNSP

These self-contained spotlights are ideal for intensifying the visual experience in all kinds of clubs, that is because their accurate beam control picks out even the smallest of details even over long distances. This beam control makes the PAR 56 and PAR 64 excellent for long-range light projections. In addition, the universal burning feature provides complete flexibility of luminaires angle and position, while the front glass of the PAR56 provides thermal and physical protection. The result? Complete creative freedom to achieve the desired effect. Immediate re-strike also ensures instant resumption of entertainment after any power interruption.

### Product data

General Information	
Cap-Base	GX16D [GX16d]
Operating Position	UNIVERSAL [Any or Universal (U)]
Nominal lifetime	300 hour(s)

Light Technical	
Beam Angle (Nom)	11 degree(s)
Correlated Color Temperature (Nom)	3200 K

Operating and Electrical	
Power Consumption	1,000 W
Voltage (Nom)	230 V
Voltage (Nom)	230 V

Controls and Dimming	
Dimmable	Yes

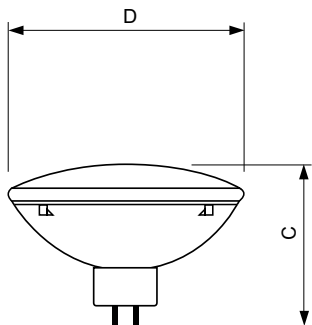
Mechanical and Housing	
Bulb Shape	PAR64 [PAR 8inch/200mm]

Product Data	
Full product code	871150044085310
Order product name	PAR64 1000W 230V VNSP
Order code	924783244204
Numerator - Quantity Per Pack	1
Numerator - Packs per outer box	6
Material Nr. (12NC)	924783244204
Full product name	PAR64 1000W 230V VNSP
EAN/UPC - Case	8711500440860
EAN/UPC - Product/Case	8711500440853

## PAR56 and PAR64

### Dimensional drawing



Product	D (max)	C (max)
PAR64 1000W 230V VNSP	204 mm	150 mm

