



MASTER LEDbulb

MAS LEDbulb D 13-75W E27 827 A67

The MASTER LEDbulb range delivers a dimmable glow effect for a welcoming, warm atmosphere, making it ideal for general lighting applications in the hospitality industry. Its unique design radiates warm light in all directions, making it a true alternative to the incandescent lamp. They are particularly suitable for public areas such as lobbies, corridors, stairwells, where the light is always on. Compatible with existing fixtures with an E27 holder and designed for retrofit replacement of incandescent bulbs, MASTER LEDbulb delivers huge energy savings and minimizes maintenance cost without any compromise on light quality. They can be used together with most leading-edge dimmers, enabling further efficiencies while helping to create the desired atmosphere.

Product data

General Information	
Cap base	E27 [E27]
Nominal lifetime (nom.)	25000 h
Switching cycle	50000X
Technical type	13-75W
Light Technical	
Colour code	827 [CCT of 2,700 K]
Luminous flux (nom.)	1055 lm
Luminous flux (rated) (nom.)	1055 lm
Colour designation	Warm White (WW)
Correlated colour temperature (nom.)	2700 K
Luminous efficacy (rated) (nom.)	81.15 lm/W
Colour consistency	<6
Color rendering index (nom.)	80
LLMF at end of nominal lifetime (nom.)	70 %

Operating and Electrical	
Input frequency	50 Hz
Power (Rated) (Nom)	13 W
Lamp current (nom.)	62 mA
Wattage equivalent	75 W
Starting time (nom.)	0.5 s
Warm-up time to 60% light (nom.)	instant full light
Power factor (nom.)	0.5
Voltage (Nom)	220-240 V
Controls and Dimming	
Dimmable	Yes
Approval and Application	
Energy efficiency label (EEL)	A+
Suitable for accent lighting	Yes

MASTER LEDbulb

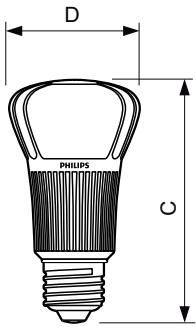
Energy Consumption kWh/1000 h	13 kWh
Product Data	
Full product code	871829175852500
Order product name	MAS LEDbulb D 13-75W E27 827 A67
EAN/UPC – product	8718291758525
Order code	75852500

Numerator – quantity per pack	1
Numerator – packs per outer box	6
Material no. (12NC)	929000276602
Net weight (piece)	0.245 kg

Warnings and Safety

- Operating temperature range is between -20° C and 45° C ambient
- Only to apply in dry or damp locations and most of open fixtures with lamp-holders that offer sufficient space (10 mm free air space)
- Not intended for use with emergency light fixtures or exit lights

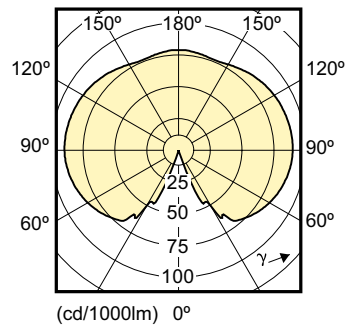
Dimensional drawing



LED D 13-75W E27 827 A67

Product	D	C
MAS LEDbulb D 13-75W E27 827 A67	66 mm	122.6 mm

Photometric data



MASTER LEDbulb

